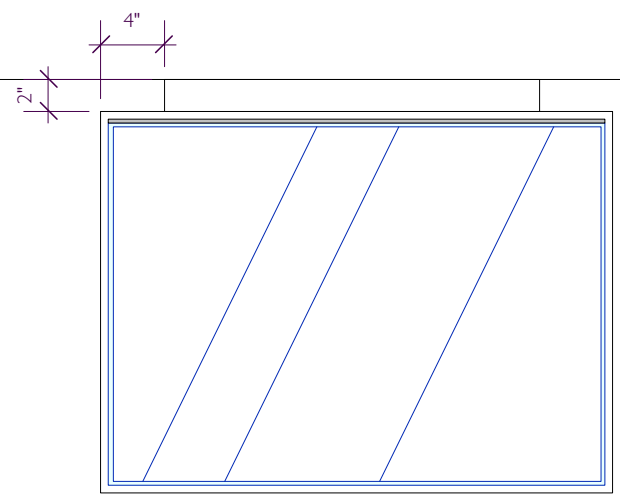
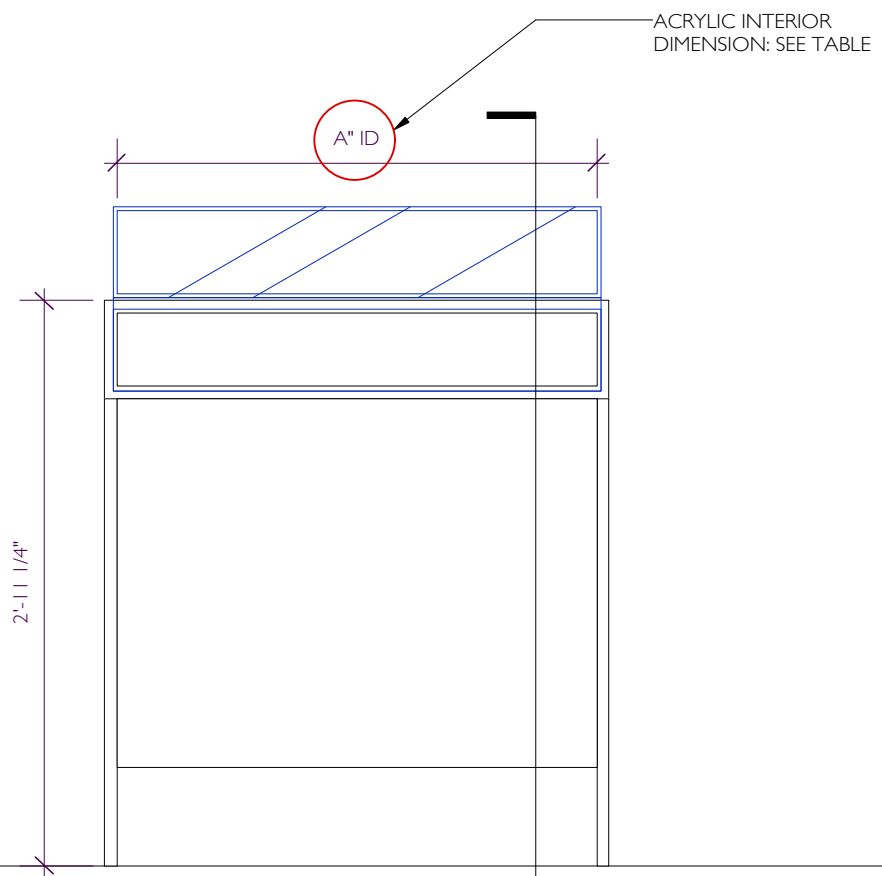


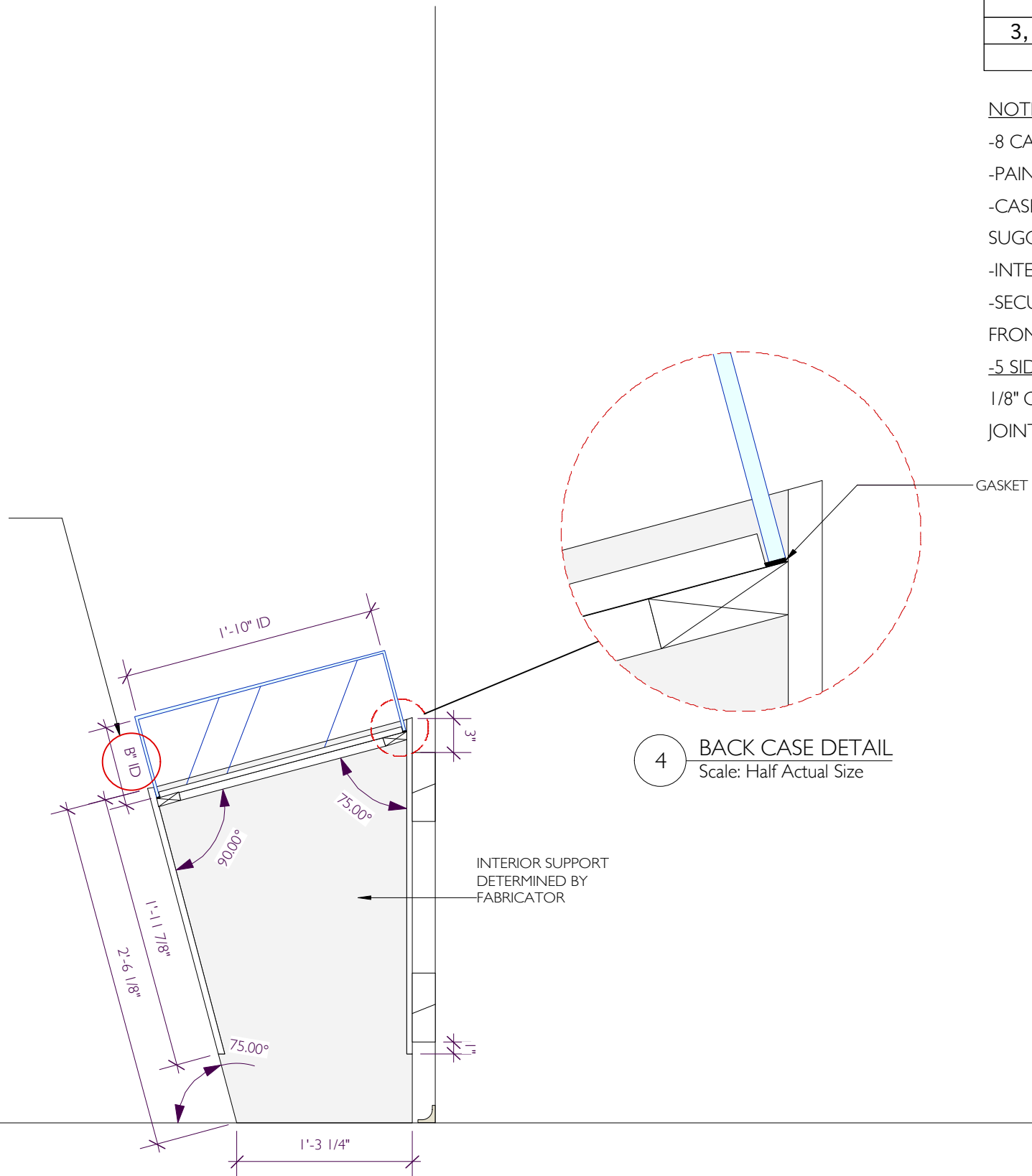
CASE VARIABLES		
CASE #	A	B
1 & 7	2'6"	7"
2	4'0"	11"
3, 5, 6 & 8	4'0"	7"
4	2'6"	11"



1 Plan
Scale: 1" = 1'-0"



2 FRONT
Scale: 1" = 1'-0"



3 SECTION
Scale: 1" = 1'-0"

4 BACK CASE DETAIL
Scale: Half Actual Size

- NOTES:
- 8 CASES TOTAL
 - PAINTED B. MOORE AURA EGGSHELL: 1623
 - CASE EXTERIOR: 1/2" ULTRALIGHT OR SUGGESTED MATERIAL BY FABRICATOR
 - INTERIOR DECK: 1/2" MEDITE OR MEDEX
 - SECURITY SCREWS NEEDED LEFT, RIGHT & FRONT, NO SCREWS IN BACK
 - 5 SIDED VITRINE: 1/4" CLEAR ACRYLIC, 1/8" X 1/8" CHAMFER ON TOP EDGE, SOLVENT JOINTS, BOTTOM EDGES SANDED

NEW-YORK
HISTORICAL
SOCIETY
MUSEUM & LIBRARY

Exhibition Department
170 CPW NY NY 10024
212 485 9274

Exhibition:
HIRSCHFELD

Drawing Name:
CASES UPDATED

Scale: as shown
Date: 4/22/15

Drawn By: **BM**
Dwg #: **14.3**